

# Fact Sheet

## XC II 400 Pro

# BIZERBA

*Modern PC technology in a compact design is what the X-Class II Pro series stands for. Benefit from an integrated 3-in-1 printer. This device allows convenient, intuitive and fast operation via touchscreen. Enjoy more performance due to a large RAM. All models are provided with a powerful Intel® Quad Core processor. Ideally suitable for new features or individual requirements.*



**More information**  
High performance  
with a wide range of  
solutions and options.

Specifications	Facts	Details
<b>Color</b>	Anthracite gray	RAL 7016
<b>Operator display</b>	10.1" touch TFT	Resolution: 1,024 x 600 (WSVGA) LED backlit Resistive 5-wire touch technology Infinitely inclinable: adjustable viewing angle
<b>Customer display</b>	No customer display 7" TFT  10.1" TFT	Resolution: 800 x 480 LED backlit  Resolution: 1,024 x 600 (WSVGA) LED backlit
<b>Operating system</b>	Windows 10 IoT Enterprise 2016 LTSC BizLPOS3 OpenSuse® ≥ 42.1 Leap Kernel 4.2	64 bit Windows 64 bit Linux
<b>Application software</b>	RetailPowerScale  RIK (RetailIntegratorsKit)	Bizerba scale software, compatible with Retail-Framework products  3rd-party software
<b>Processor</b>	Intel® Celeron® Processor N3160 Quad Core	Clock rate of up to 2.24 GHz  L2 cache: 2 MB Instruction set: 64 bit Integrated graphics card: Intel® HD Graphics 400
<b>Working memory</b>	DDR3	4 GB RAM
<b>Mass memory</b>	SSD	60 GB, optionally 120 GB
<b>Printer</b>	3-in-1: Receipt, linerless or label (label, receipt, linerless)	Optionally 2" or 3" up to 3"/76 mm paper width Clamshell design for easy paper role changing Print speed of up to 100 mm/s
<b>External additional printer</b>	Usage of the Bizerba power supply unit RSP 28 allows to use the following printers of the K-Flex series as external additional printer.	KF 3" receipt / linerless printer KF 3" label printer KF 2" L Compact receipt / linerless printer
<b>Interfaces</b>	2 x USB 3.0 2 x USB 2.0 2 x COM LAN Audio output Cash register drawer connection (COM)	Super speed High speed DSUB, RS232 RJ45, GBit LAN 3.5 mm jack RJ12

<b>Weighing ranges</b>	3/6 kg	Interval 1/2 g, min. 20 g
	6/15 kg	Interval 2/5 g, min. 40 g
<b>Temperature range</b>	-10 °C to +40 °C	
<b>Power consumption</b>	In stand-by 2.4 W During operation typically 20.3 W	Energy saving thanks to use of Wake on LAN
<b>Net weight of device</b>	XC II 400 Pro	Approx. 12 kg

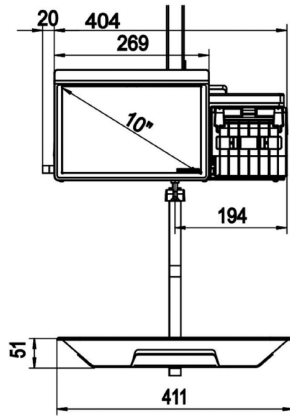
Options	Facts	Details
<b>Software extensions</b>	RetailApps Software modules: Cash register, scanning, e-cash, inventory, delivery note, proof of origin, time registration, video journal, Retail-Connect	Extra software function per RetailApps Extra software functions per module
<b>WLAN modules</b>	BWLC  USB	Bizerba Wireless LAN Client 802.11 a/b/g max. 54 MBit/s USB WLAN stick, no floating sales mode possible 802.11 a/b/g/n max. 300 MBit/s

### Info graphics

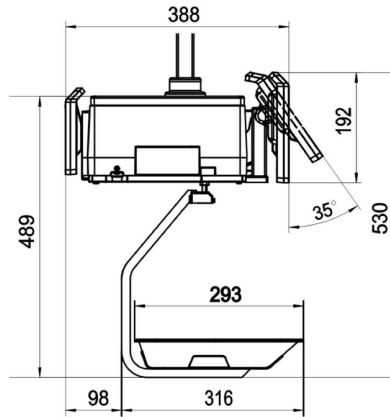


---

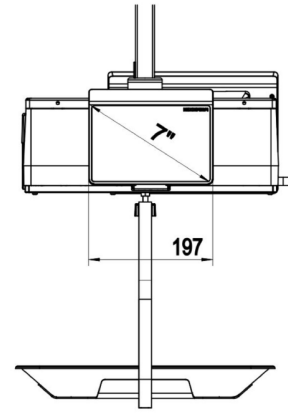
## Dimensional drawings



XC II 400 Pro operator side



XC II 400 Pro side view



XC II 400 Pro customer side

---

### **Bizerba SE & Co. KG**

Wilhelm-Kraut-Straße 65  
72336 Balingen

T +49 7433 12-0  
fax: +49 7433 12-2696  
marketing@bizerba.com

[www.bizerba.com](http://www.bizerba.com)